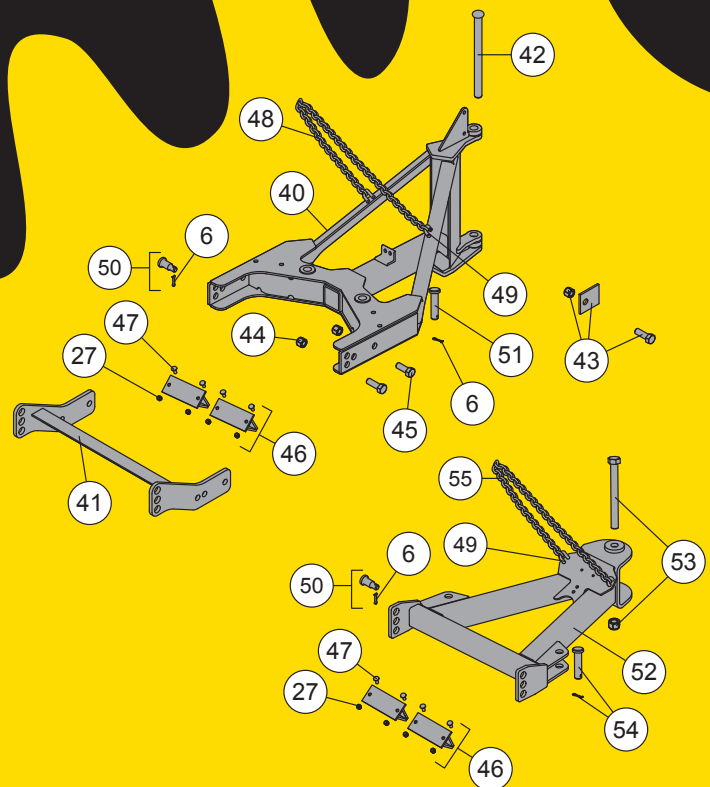


HEADGEAR

Item	Part	Description	Item	Part	Description
1	44558	Headgear	18	821	1 ID x 3-1/2 Compression Spring
2	26757-1	Lift Arm Kit - Yellow	19	26833	1 OD x 6-15/16 Pin
3	27560-1	Lift Arm Kit - Silver (XV only)	20	90315	3/8 Flat Washer
4	28991	Stop Link Kit	21	91902	1/8 x 1 Cotter Pin
5	29037	1/2 x 2-1/2 Clevis Pin w/Cotter Pin	22	27162K	Stop Clip Kit
6	95720	1 x 3-5/16 Clevis Pin HT	23	26188	Thimble
7	90601	1/4 x 1-1/2 Cotter Pin	24	27535	Handle Cover Kit
8	27462	Jack	25	27465	Link Arm
9	27164K	Jack Handle Kit	26	90043	3/8-16 x 2 Hex Cap Screw G5
10	27163K	Bushing Kit (2 Bushings)	27	91333	3/8-16 Hex Locknut GB
11	4289K	3/4 x 1-7/8 Machine Pin w/Cotter Pin	28	26219	Clevis Pin Kit
12	90658	5/32 x 1-1/4 Cotter Pin	29	27534	Spring / U-Bolt Kit
13	27468	Handle-Link Arm Assembly	30	27171K	3/8 x 1 Clevis Kit
14	27166K	Wire Cam Kit - DS	31	27169K	Cable Kit
15	27167K	Wire Cam Kit - PS	32	27075	1/8 Wire Rope Clip
16	27478	Jack Lock	33	27172K	Clamp Loop Kit
17	27461	3/4 OD x 3-1/2 Compression Spring	34	91192	1-3/4 Round Flat Washer
18	27168K	Connecting Pin Kit			

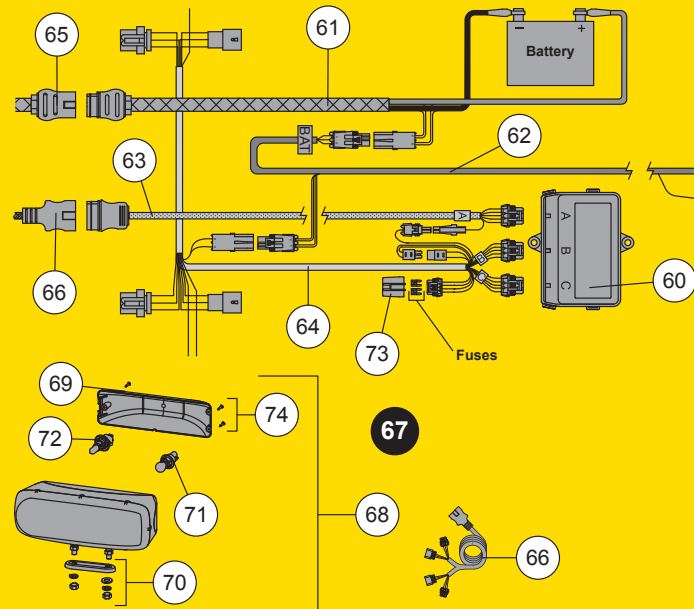
G = Grade ns = not shown



T-FRAME / A-FRAME

Item	Part	Description	Item	Part	Description
40	44555-1	T-Frame (XV)	48	27912	Chain Bag (XV)
41	44556-1	Push Assembly (XV)	49	A6148K	U-Bolt w/Hardware
42	44028	V-Plow Pivot Pin (XV)	50	27177K	Step Pin Kit
43	29735	Locking Kit - T-Frame (XV)	51	22260	1 x 4-3/4 Clevis Pin
44	91338	3/4-10 Hex Locknut GB	52	50669	A-Frame Kit (XLS)
45	90286	3/4-10 x 2 Hex Cap Screw G5	53	50668	Pivot Bolt Kit (XLS)
46	50632	Stacking Stop Kit - Short (XV, XLS™)	54	7903K	Anchor Pin w/Cotter Pin (XLS)
ns	44554	Stacking Stop Kit - Long (XV)	55	26999	Chain Bag (XLS)
47	90201	3/8-16 x 1 Carriage Bolt G5			

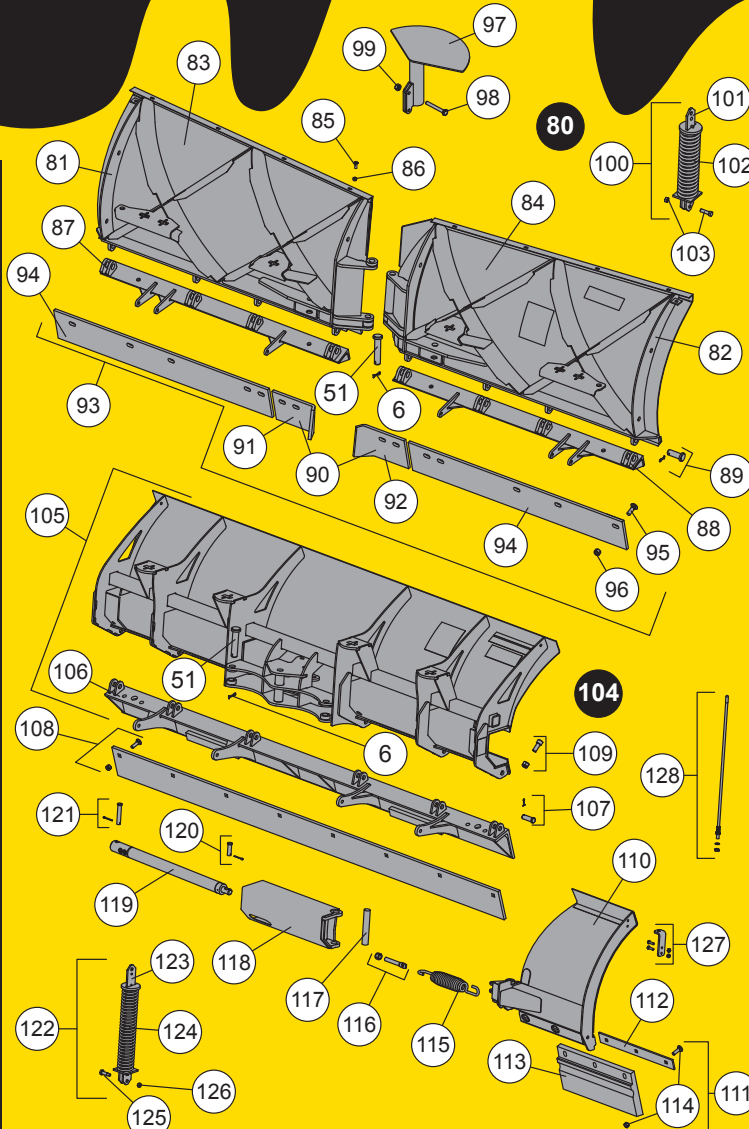
G = Grade ns = not shown



ELECTRICAL COMPONENTS

Item	Part	Description	Item	Part	Description
60	29070-1	Isolation Module - 3-Port (Green Label)	67	28800-1	INTENSIFIRE™ Headlamp Kit (Pair)
	29760-1	Isolation Module - 3-Port (Blue Label)	68	28802-1	Headlamp Service Kit - PS
61	42014	Vehicle Battery Cable	ns	28801-1	Headlamp Service Kit - DS
62	28587	Vehicle Control Harness	69	28803-1	Rear Cover Kit
63	26357	Vehicle Lighting Harness (11-Pin)	70	28804	Mounting Hardware Kit
64	-	Plug-In Harness (See FISHER® Kit Selection Guide)	71	28805	Park/Turn Socket Service Kit
65	42015	Plow Battery Cable	72	28806	H13 Headlamp Bulb Service Kit
66	28213K	Plow Lighting Harness (11-Pin)	73	29998	Fuse Cover - 5 Pack
			74	28808-1	Cover Screws Service Kit (3 screws)

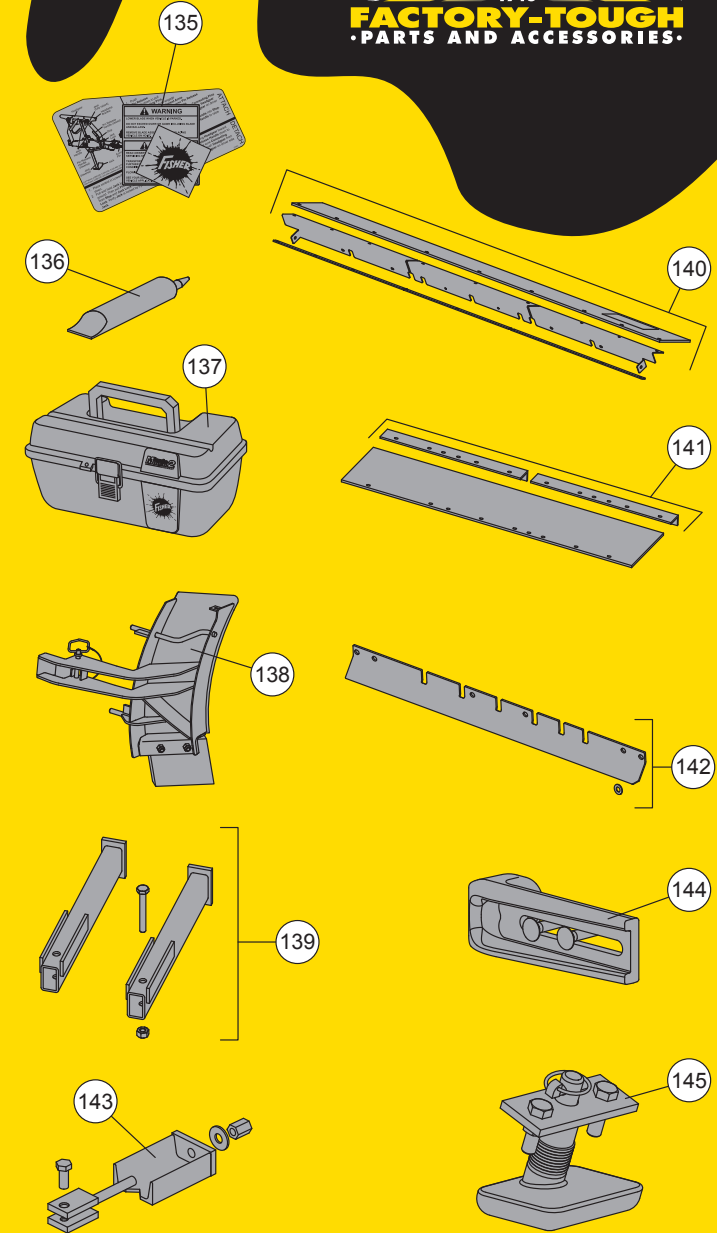
G = Grade ns = not shown



BLADES

Item	Part	Description	Item	Part	Description
80	44675-1	7-1/2" Mild Steel Blade (XV)	94	44896	7-1/2" 3/8" Cutting Edge (XV)
	44775-1	7-1/2" Stainless Steel Blade (XV)	44897	8-1/2" 3/8" Cutting Edge (XV)	
44685-1	8-1/2" Mild Steel Blade (XV)	44996	7-1/2" 1/2" Cutting Edge (XV)		
44785-1	8-1/2" Stainless Steel Blade (XV)	44997	8-1/2" 1/2" Cutting Edge (XV)		
44695-1	9-1/2" Mild Steel Blade (XV)	44998	9-1/2" 1/2" Cutting Edge (XV)		
44795-1	9-1/2" Stainless Steel Blade (XV)	5572	5/8-11 x 2 Carriage Bolt G5		
44745	7-1/2" Frame, Base Angle & Springs - DS (XV)	95	572	5/8-11 Hex Locknut GB	
44746	8-1/2" Frame, Base Angle & Springs - DS (XV)	96	91337	5/8-11 Hex Locknut GB	
44747	9-1/2" Frame, Base Angle & Springs - DS (XV)	97	44570	7-1/2" & 8-1/2" Snow Control (XV)	
44748	7-1/2" Frame, Base Angle & Springs - PS (XV)	ns	44571	9-1/2" Snow Control (XV)	
44749	8-1/2" Frame, Base Angle & Springs - PS (XV)	98	66456	3/8-16 x 1-1/4 Hex Cap Screw G5	
44750	9-1/2" Frame, Base Angle & Springs - PS (XV)	99	91333	3/8-16 Hex Locknut GB	
44820	7-1/2" Moldboard Kit Mild Steel - DS (XV)	100	21452	Removable Spring Assembly (XV)	
44822	7-1/2" Moldboard Kit Stainless Steel - DS (XV)	101	21450	Removable Spring Bar (XV)	
44824	8-1/2" Moldboard Kit Mild Steel - DS (XV)	102	5323	Trip Spring (XV)	
44826	8-1/2" Moldboard Kit Stainless Steel - DS (XV)	103	40905	Shoulder Bolt w/Locknut (XV)	
44828	9-1/2" Moldboard Kit Mild Steel - DS (XV)	104	50810	XLS™ Blade Assembly	
44830	9-1/2" Moldboard Kit Stainless Steel - DS (XV)	105	50666	XLS Blade	
44821	7-1/2" Moldboard Kit Mild Steel - PS (XV)	106	50662	Base Angle (XLS)	
44823	7-1/2" Moldboard Kit Stainless Steel - PS (XV)	107	5523K	3/4 x 2-3/16 Machine Pin w/Cotter Pin	
44825	8-1/2" Moldboard Kit Mild Steel - PS (XV)	108	50678	Cutting Edge Kit (XLS)	
44827	8-1/2" Moldboard Kit Stainless Steel - PS (XV)	109	50661	Stop Bolt Kit (XLS)	
44829	9-1/2" Moldboard Kit Mild Steel - PS (XV)	110	50648	Blade Wing - PS (XLS)	
44831	9-1/2" Moldboard Kit Stainless Steel - PS (XV)	ns	50647	Blade Wing - DS (XLS)	
98043	3/8-16 x 1 Button Cap Screw for Mild Steel	111	50626	Urethane Edge Assembly Kit (XLS)	
98035	3/8-16 x 1 Button Cap Screw for Stainless Steel	112	50643	Retainer Bar (XLS)	
91333	3/8-16 Hex Locknut GB for Mild Steel	113	50645	Urethane Edge (XLS)	
95410	3/8-16 Hex Locknut GB for Stainless Steel	114	50654	Wing Spring (XLS)	
40340	7-1/2" Base Angle - DS (XV)	115	50655	Stop Bolt Kit (XLS)	
40342	8-1/2" Base Angle - DS (XV)	116	50660	Wing Pin (XLS)	
44110-1	9-1/2" Base Angle - DS (XV)	118	50657	Blade Slide Box - PS (XLS)	
40341	7-1/2" Base Angle - PS (XV)	ns	50656	Blade Slide Box - DS (XLS)	
40343	8-1/2" Base Angle - PS (XV)	119	B60347	Hydraulic Cylinder, Slide Box (XLS)	
44111-1	9-1/2" Base Angle - PS (XV)	120	50651	5/8 x 2 Pin Kit	
99	27241	1 x 2-3/4 Clevis Pin w/Cotter Pin	121	50653	5/8 x 3 Pin Kit
80	44894	Center Cutting Edge Kit w/Fasteners (XV)	122	50665	Spring Assembly Kit (XLS)
91	44891	Center Cutting Edge - DS (XV)	123	50664	Spring Bar (XLS)
92	44890	Center Cutting Edge - PS (XV)	124	50663	Trip Spring (XLS)
93	44740-1	7-1/2" 3/8" Cutting Edge Kit w/Fasteners (XV)	125	91000	1/2 x 1-5/8 Hex Shoulder Bolt G5
	44741-1	8-1/2" 3/8" Cutting Edge Kit w/Fasteners (XV)	126	90353	7/16-14 Hex Locknut GB
	44742-1	7-1/2" 1/2" Cutting Edge Kit w/Fasteners (XV)	127	50646	Blade Guide Bracket Kit (XLS)
	44743-1	8-1/2" 1/2" Cutting Edge Kit w/Fasteners (XV)	128	27195	Flexible Blade Guide Kit - 26" (XV, XLS)
	44744-1	9-1/2" 1/2" Cutting Edge Kit w/Fasteners (XV)			

G = Grade ns = not shown



ACCESSORIES

Item	Part	Description	Item	Part	Description
135	28549	Universal Label Replacement Kit	144	44406	Curb Guard Kit (XV)
136	22400K	2 oz Dielectric Grease Tube	145	50700	Shoe Kit (XV, XLS)
137	27930	Minute Mount™ 2 Emergency Parts Kit	ns	26812-1	Plow Parka
138	44610-1	Blade Wing Extension Kit (8-1/2" & 9-1/2" XV)	ns	20498	12 oz Black Spray Paint (Powder-Coat)
139	44473	Blade Stop Kit (XV)	ns	27242	12 oz Yellow Spray Paint (Powder-Coat)
140	50628	Rubber Deflector Kit (XLS™)	ns	27700	12 oz Silver Spray Paint (Powder-Coat)
141	44710	Rubber Deflector Kit (XV)	ns	5492Y	1 quart Yellow Paint Can
142	44281-2	7-1/2" Back Drag Edge Kit (XV)	ns	5490Y	1 gallon Yellow Paint Can
	44282-2	8-1/2" Back Drag Edge Kit (XV)	ns	28531	1 quart EZ Flow Hydraulic Fluid
	44283-2	9-1/2" Back Drag Edge Kit (XV)	ns	28532	1 gallon EZ Flow Hydraulic Fluid
143	20043	Spring Replacement Tool	ns	62849	Ballast Retainer Kit

2 = Back Drag Edge Kits may not be installed with Shoe or Curb Guard Kits
3 = Shoe Kits or Curb Guard Kits may not be installed with Back Drag Edge Kits
ns = not shown

Copyright © 2009 Douglas Dynamics, L.L.C. All rights reserved. This material may not be reproduced or copied, in whole or in part, in any printed, mechanical, electronic, film or other distribution and storage media, without the written consent of Fisher Engineering. Authorization to photocopy items for internal or personal use by Fisher Engineering outlets or snowplow owner is granted.

Fisher Engineering reserves the right under its product improvement policy to change construction or design details and furnish equipment when so altered without reference to illustrations or specifications used. Fisher Engineering or the vehicle manufacturer may require or recommend optional equipment for snow removal. Do not exceed vehicle ratings with a snowplow. Fisher Engineering offers a limited warranty for all snowplows and accessories. See separately printed page for this important information. The following are registered (®) or unregistered (™) trademarks of Douglas Dynamics, L.L.C.: FISHER®, INTENSIFIRE™, Minute Mount 2, XLS™, Xtreme™.